

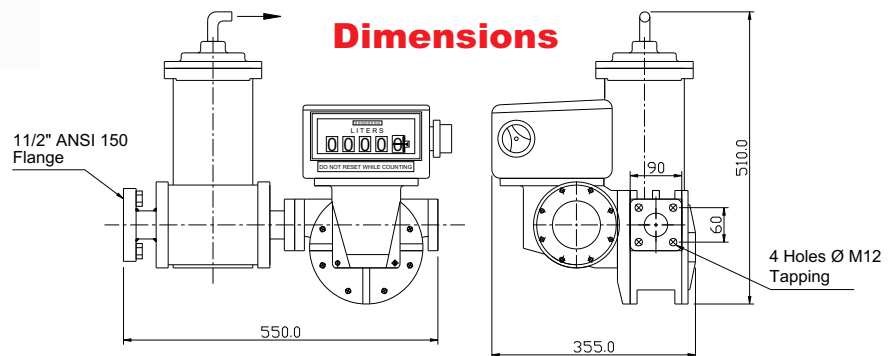


Series 6635 : P. D. Flowmeter

For very high accuracy measurements of Diesel / Petrol / Kerosene / Solvents With Large Numerical Mechanical Counter

Specifications

| | |
|---------------------------------|--|
| Type | : Positive displacement Rotary Vane. |
| Size | : 40NB. |
| Flow Range | : 35-350 LPM |
| Counter | : Veeder Root 7887 Large Numeral |
| Accuracy | : $\pm 0.1\%$ of reading |
| Repeatability | : Better than $\pm 0.02\%$. |
| Rangeability | : 10% - 100% of max. flow range. |
| Max. Working Pressure | : 10 kg/cm ² . |
| Operating Temp. Range | : 30° C-70° C. |
| Filter Element | : 150 micron SS reusable. |
| Air Eliminator | : Float activated pilot operated. |
| Material of construction | : Meter body - Cast Iron Strainer A/E - Carbon steel Vaness - Morganite Carbon CY10C Seals - Nitrile Rotor - Aluminium Float - SS 316 |



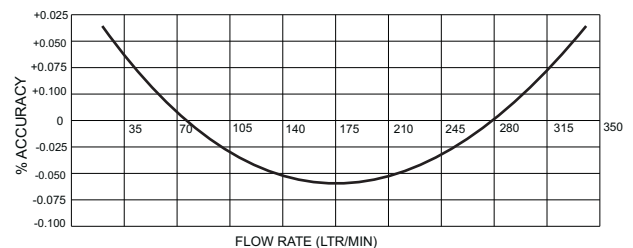
Introduction

The Series 6635 flowmeter is a very high precision high accuracy flowmeter specially designed for metering expensive fuels and solvents. Due to a consistent accuracy of $\pm 0.1\%$ of reading this meter can be used for custody transfer applications. It is an ideal solution for unloading fuels such as diesel, petrol, kerosene and all types of solvents.

Features

- High Accuracy $\pm 0.1\%$ of reading.
- High repeatability $\pm 0.02\%$ of reading.
- Stepless calibration adjustment.
- Wear compensating vane design.
- Large numeral counter for easy readability.
- Very low pressure prop.
- Fully mechanical system safe for hazardous area use.
- Pulse output for remote monitoring optional.

Flow Rate Vs Accuracy Test Liquid : Diesel



Flow Rate Vs Accuracy Test Liquid : Diesel

